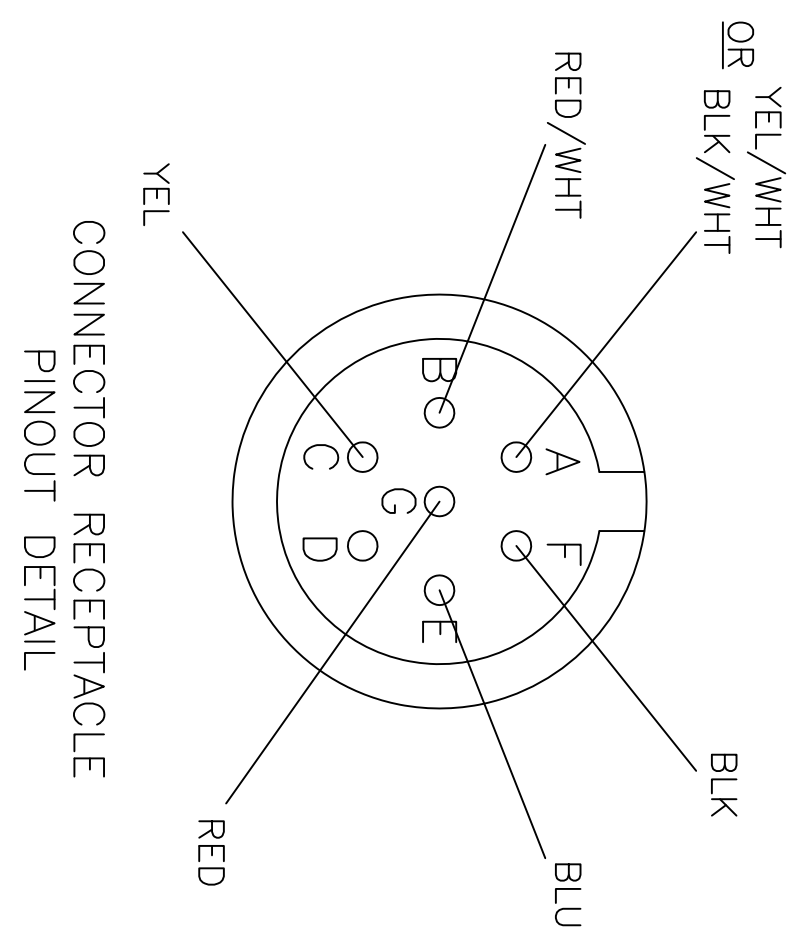
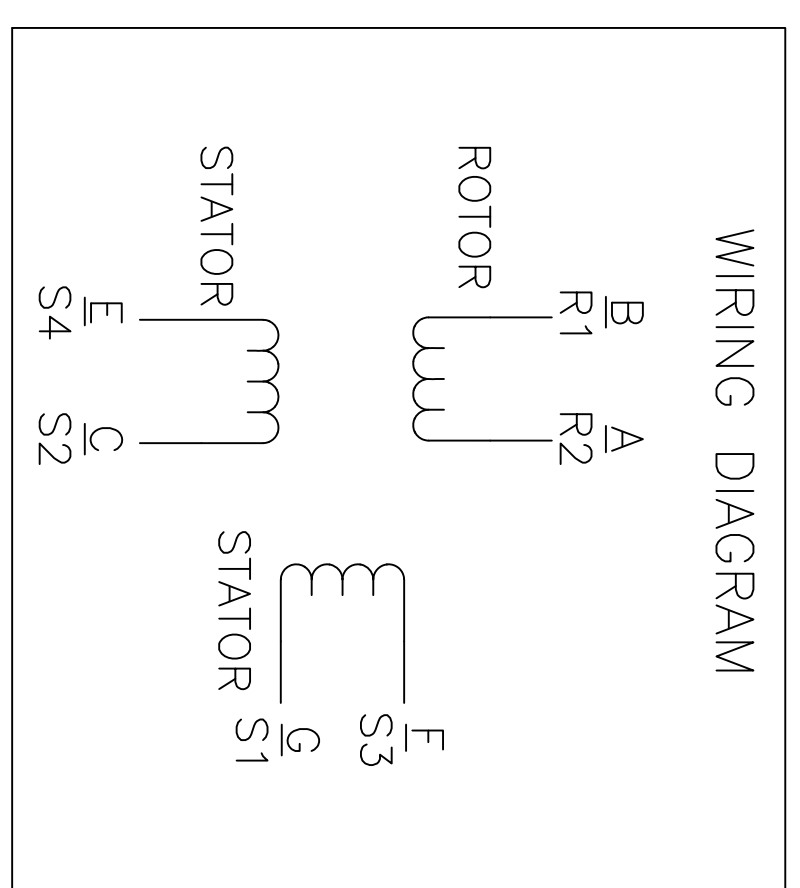
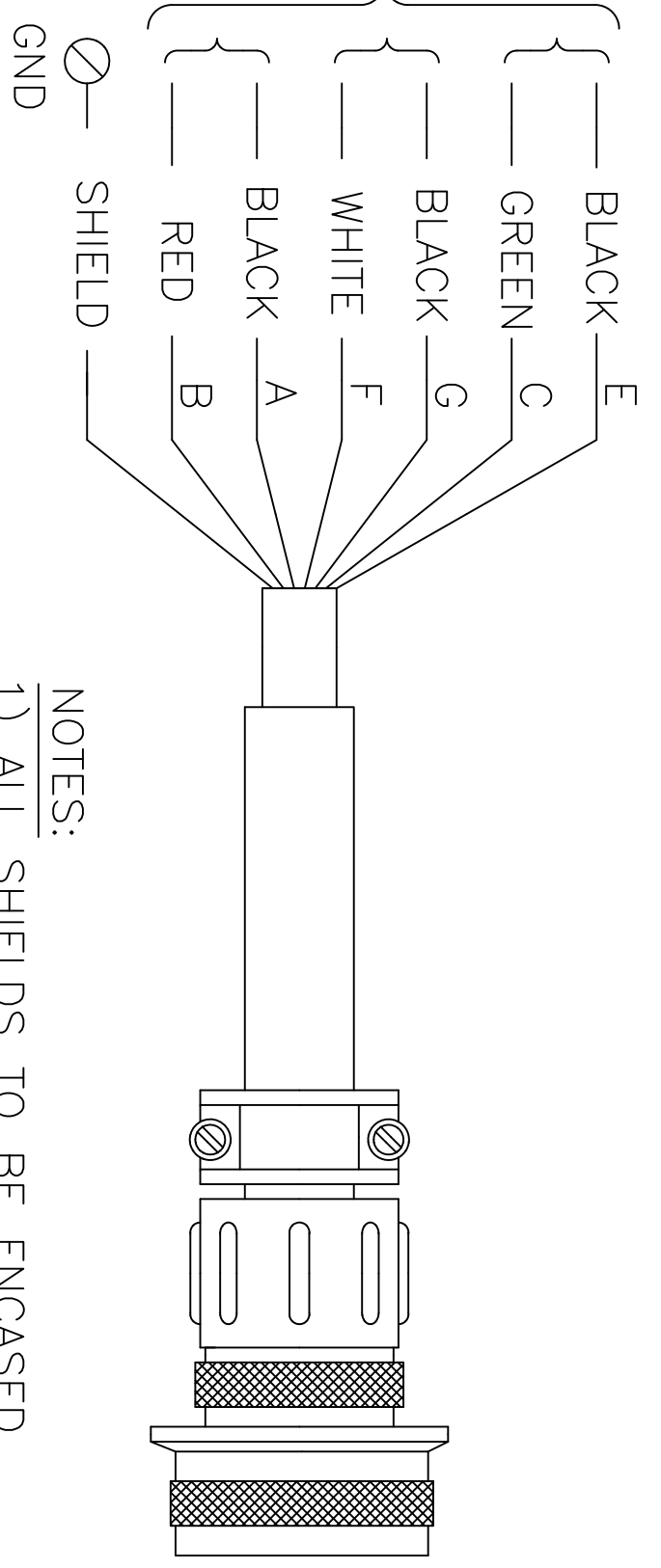


REV.	DESCRIPTION	REVISION	DATE	BY
J	ADDED "OR BLACK/WHITE"		2/8/08	WAK
K	MAJOR UPDATE TO ASSEMBLY		11/05/15	WAK

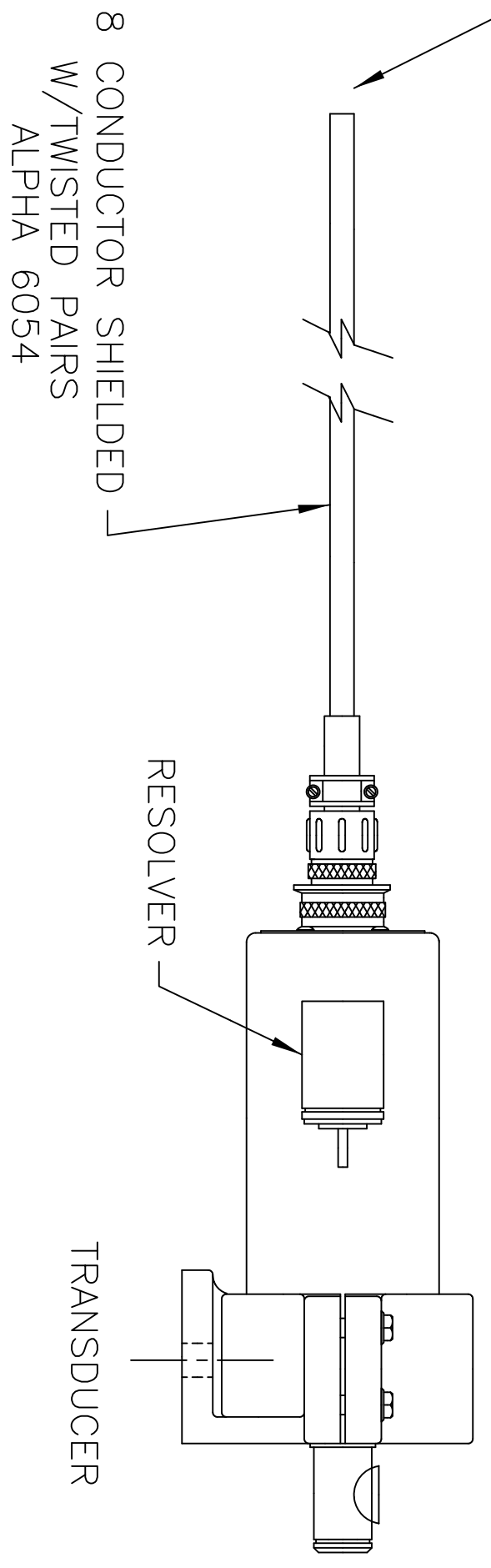
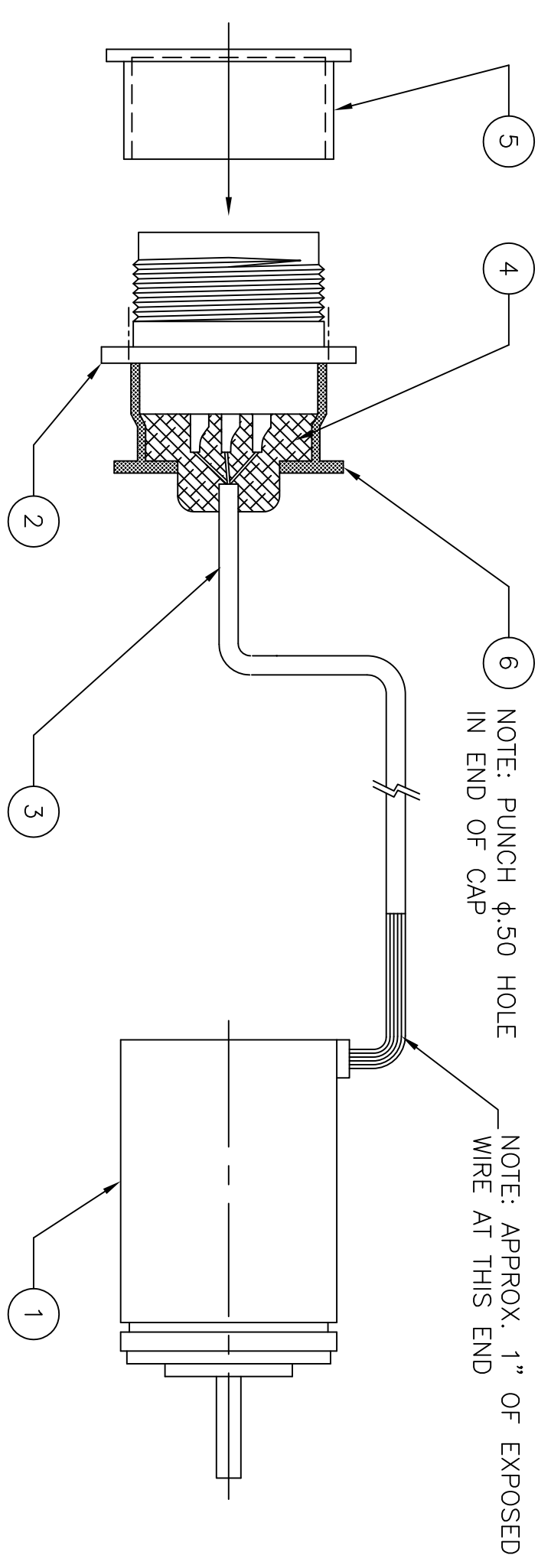


ALPHA CABLE 6054
COLOR CODE



- NOTES:
- 1) ALL SHIELDS TO BE ENCASED BY TURBOTHERM 105 FLEXIBLE TUBING No. 8 x .020" WALL.
 - 2) CONNECT SHIELD TO BACK COVER HOLD DOWN SCREW.

TO TERMINALS OF AMCI
SINGLE TURN ENCODER
MODULE OR EQUIV.



ITEM	PART NO.	DESCRIPTION	QTY.
1	04535001	RESOLVER SIZE 11 (DELTRAN P/N 11BRGX-3000-L10/6)	1
2	M-0530100	CONNECTOR RECEPTACLE 07 PIN MALE - ALTERED	1
3	01290800	TUBING HEAT SHRINK 1/8" - CUT (1) PC @ 12" LG	1.00 FT
4	04584037	ADHESIVE RTV SILASTIC DOW 738	.100
5	04567148	CAP PLUG PLASTIC 1"	1
6	04567139	CAP PLUG PLASTIC 7/8" - ALTER PER NOTE	1

THIRD ANGLE PROJECTION		DR. P.K.		TITLE	
		DATE 2/12/93	APP. G.S.L.	WIRING DIAGRAM FOR TRANSDUCER TO CONTROLLER AMCI/MODICON	
SURFACE FINISH 32		SCALE	DATE 11/05/15	DRAWING NO.	REV. SIZE
TOLERANCE ALLOWANCE UNLESS OTHERWISE SPECIFIED: +/- 0.010 ON 2 PLACE DECIMALS +/- 0.0005 ON 3 PLACE DECIMALS +/- 0.0005 ON 4 PLACE DECIMALS +/- .30 MIN. ON ALL ANGLES		NONE	NONE	E0214500	K C
UNLESS OTHERWISE SPECIFIED: TOLERANCE ALLOWANCE UNLESS OTHERWISE SPECIFIED: +/- 0.010 ON 2 PLACE DECIMALS +/- 0.0005 ON 3 PLACE DECIMALS +/- 0.0005 ON 4 PLACE DECIMALS +/- .30 MIN. ON ALL ANGLES		 AUTOMATION & PROCESS TECHNOLOGIES Clawson, MI 48017 U.S.A.			