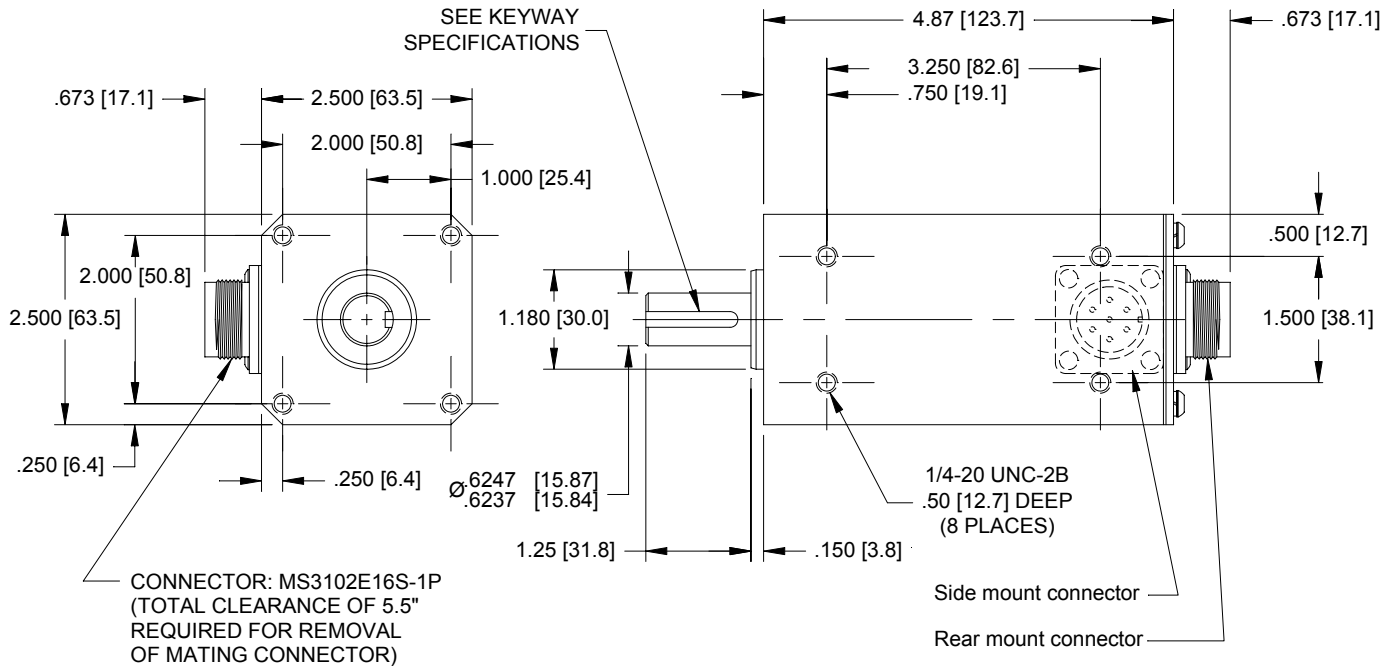




Series 1986F Resolver / Transducer

SPECIFICATION / DATA SHEET (Namco Series)

[] = DIMENSIONS IN MILLIMETERS



MECHANICAL SPECIFICATIONS

STARTING TORQUE: 8 oz. in. @ 25° C
 MOMENT OF INERTIA: 20 oz-in-sec²
 MAX. SHAFT LOADING: Radial: 400 lb.
 Axial: 200 lb.

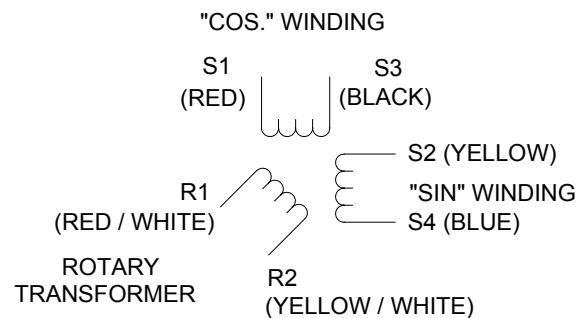
ENVIRONMENTAL SPECIFICATIONS

OPERATING TEMP: -20°C to 125°C
 SHOCK: 50 G's for 11 mSec
 VIBRATION: 5 to 2000 Hz @ 20 G's
 NEMA RATING: NEMA 4/13
 WHEN PROPERLY INSTALLED

KEY WAY SPECIFICATIONS

KEYWAY:
 .1885 / .1895 [4.79 / 4.81] WIDE
 X .106 / .108 [2.69 / 2.74] DEEP
 KEY:
 .187 / .188 [4.75 / 4.78]
 SQUARE X 1.0 [25.4]

RESOLVER SCHEMATIC



RESOLVER TO CONNECTOR WIRING DIAGRAM

