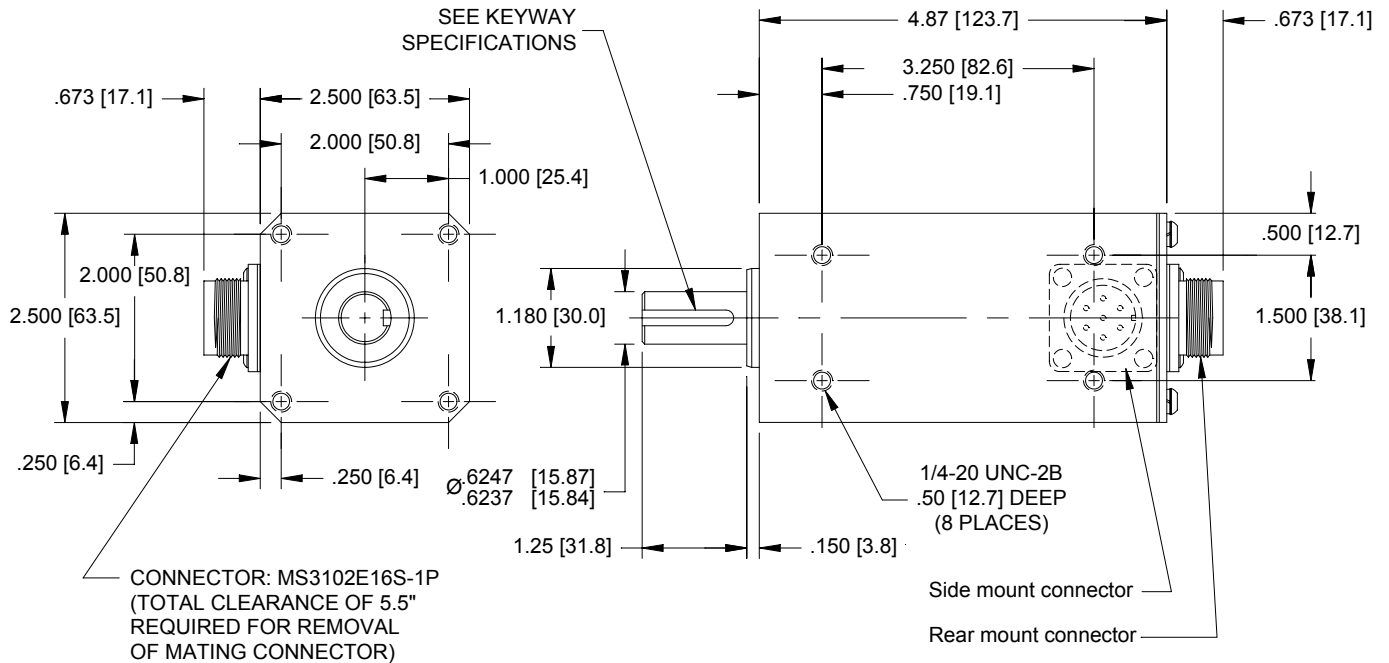




Series 1986F Resolver / Transducer

SPECIFICATION / DATA SHEET (AMCI Series)

[] = DIMENSIONS IN MILLIMETERS



MECHANICAL SPECIFICATIONS

STARTING TORQUE: 8 oz. in. @ 25° C
MOMENT OF INERTIA: 20 oz-in-sec²
MAX. SHAFT LOADING: Radial: 400 lb.
Axial: 200 lb.

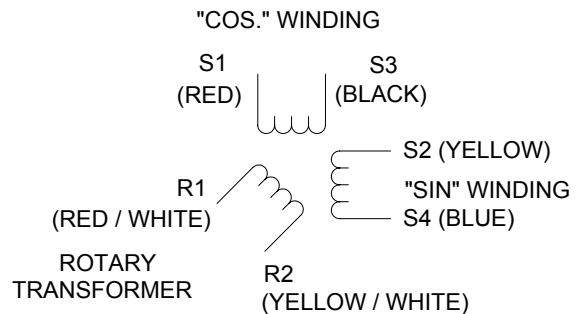
ENVIRONMENTAL SPECIFICATIONS

OPERATING TEMP: -20°C to 125°C
SHOCK: 50 G's for 11 mSec
VIBRATION: 5 to 2000 Hz @ 20 G's
NEMA RATING: NEMA 4/13
WHEN PROPERLY INSTALLED

KEY WAY SPECIFICATIONS

KEYWAY:
.1885 / .1895 [4.79 / 4.81] WIDE
X .106 / .108 [2.69 / 2.74] DEEP
KEY:
.187 / .188 [4.75 / 4.78]
SQUARE X 1.0 [25.4]

RESOLVER SCHEMATIC



RESOLVER TO CONNECTOR WIRING DIAGRAM

