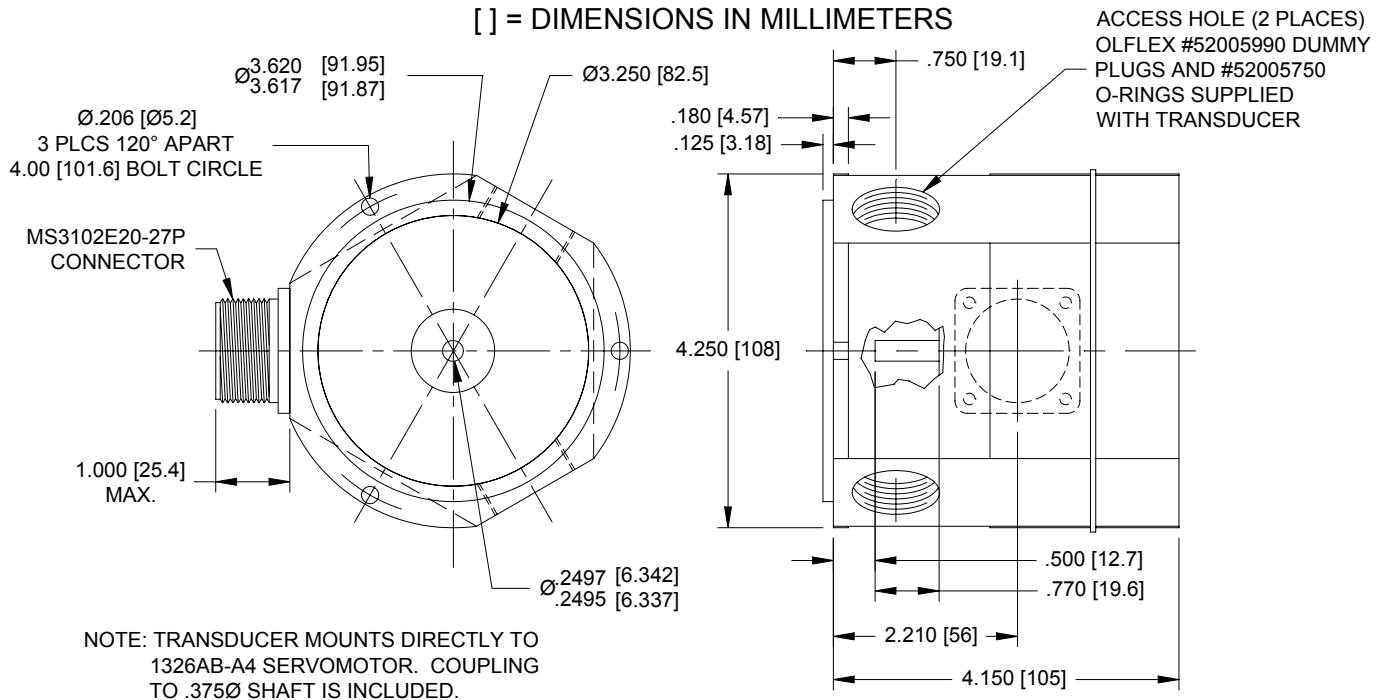




Series 1986H Resolver / Transducer

SPECIFICATION / DATA SHEET (AMCI Series)

[] = DIMENSIONS IN MILLIMETERS



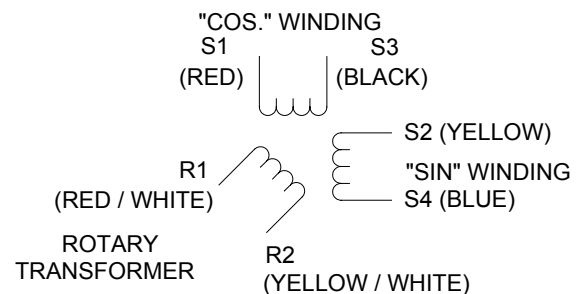
MECHANICAL SPECIFICATIONS

STARTING TORQUE: 1.5 oz. in. @ 25° C
 MOMENT OF INERTIA: 4 oz-in-sec²
 MAX. SHAFT LOADING: Radial: 40 lb.
 Axial: 20 lb.

ENVIRONMENTAL SPECIFICATIONS

OPERATING TEMP: -20°C to 125°C
 SHOCK: 50 G's for 11 mSec
 VIBRATION: 5 to 2000 Hz @ 20 G's
 NEMA RATING: NEMA 4/13
 WHEN PROPERLY INSTALLED

RESOLVER SCHEMATIC



RESOLVER TO CONNECTOR WIRING DIAGRAM

