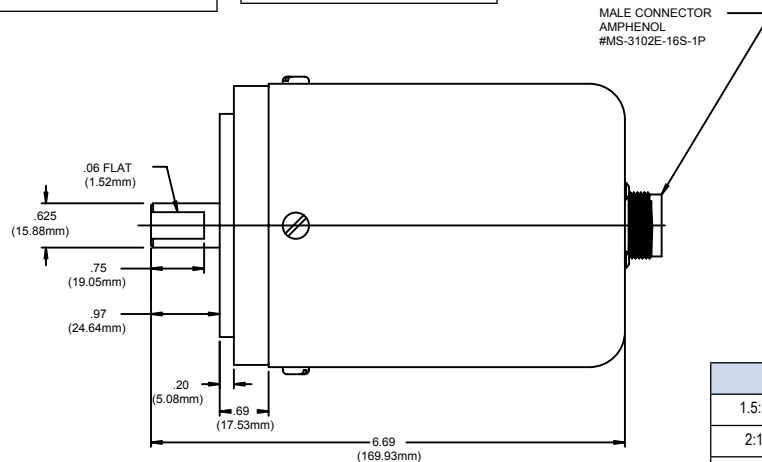


E Series

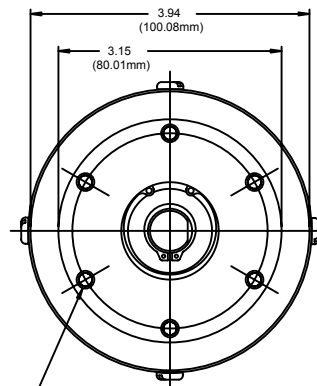


1986	E	1	X	R	X		
Mounting Configuration and Shaft Size E 100mm face mount 5/8" input shaft		Single/Multi-Turn X Single turn resolver. No gear reducer. GR_ Single turn resolver with internal gear reducer. Select ratio from list below, insert after GR. GM_ Single turn resolver with internal gear multiplier. Select ratio from list below, insert after GM. D1 64 turn dual resolver. D2 128 turn dual resolver. * Lengths may vary with gear reducer		Connection R Standard rear mount connector.		Options X None P Additional protective shaft seal for high pressure washdown environments. S All stainless steel construction including input shaft, bearing housing and can assembly. E Stainless steel input shaft and corrosion resistant epoxy coating on all exposed metal.	
Resolver Electrical Output Characteristics							
1	Standard output compatible with all Gemco electronic modules and Autotech. Resolver No. 04535001						
2	Special output compatible with AMCI resolver input devices. Resolver No. 04535076						
3	Special output compatible with GE axis positioning modules. Resolver No. 04535044						
4	Special output compatible with Modicon motion cards. Resolver No. 04535051						
5	Special output compatible with Reliance resolver input card. Resolver No. 04535023						
6	Special output compatible with Namco resolver input card. Resolver No. 04535053						

Wiring		
GEMCO and GE Resolvers		
Pin	Rotor	Wire Color
A	R1	Red/White
B	R2	Yellow/White
C	S3	Black
D	S1	Red
E	S2	Yellow
F	S4	Blue
AMCI and Modicon Resolvers		
A	R2	Yellow/White
B	R1	Red/White
E	S4	Blue
C	S2	Yellow
F	S3	Black
G	S1	Red
Namco Resolvers		
A	R1	Red/White
B	R2	Yellow/White
C	S4	Blue
E	S2	Yellow
F	S1	Red
G	S3	Black
Reliance Resolvers		
A	R1	Red/White
B	R2	Yellow/White
F	S3	Black
D	S1	Red
G	S2	Yellow
E	S4	Blue



Gear Multipliers		
1:2	1:5	1:9



M6 x 1.00 TAP -6 PLACES EQUALLY SPACED ON A 2.7559 (70mm) B.C.

Single Resolver Gear Reducers			
1.5:1	15:1	50:1	180:1
2:1	16:1	54:1	200:1
3:1	17:1	58:1	210:1
4:1	18:1	60:1	225:1
4.75:1	19:1	64:1	250:1
5:1	19.5:1	65:1	270:1
6:1	20:1	70:1	310:1
6.15:1	21.66:1	73:1	350:1
7:1	23:1	75:1	360:1
7.5:1	24:1	80:1	400:1
7.625:1	25:1	90:1	500:1
8:1	30:1	91:1	520:1
9:1	31.25:1	100:1	1200:1
9.2:1	35:1	115:1	1500:1
9.5:1	38:1	120:1	2000:1
10:1	40:1	128:1	2150:1
12:1	42:1	150:1	2160:1
14:1	48:1	160:1	7760:1